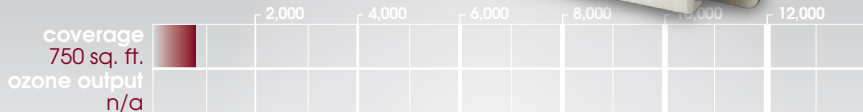




# activTek INDUCT 750



DUCT MOUNTED SYSTEM

## description

- Duct or plenum installed natural air system
- Discreet or concealed installation
- 120/220 volt optional installation
- UV bulb monitoring indicator included
- Low maintenance – no cleaning required

## applications

- Any HVAC system up to 3 tons or 1500 CFM with accessible ducts
- Residential homes
- Apartments
- Small offices
- Elevators

## the technology

Designed for smaller areas, the activTek INDUCT 750 utilizes tested ActivePure® technology to substantially reduce odors, visible smoke in the air, and treat contamination on surfaces. Available for 120 or 220 volt installation, the INDUCT 750 can

be inserted into a duct or plenum as a low maintenance way to incorporate air treatment into HVAC systems, requiring no cleaning. Includes a UV bulb monitoring indicator. Covers up to 750 square feet. Professional installation recommended.

Published scientific studies conducted on behalf of activTek by Dr. James Marsden at Kansas State University demonstrated that activTek's ActivePure® technology substantially reduces microbial populations on surfaces. The study's results have not been reviewed by the FDA, EPA or any other governmental agency. Our products are not medical devices and are not intended to diagnose, treat, or cure any disease.



## specifications

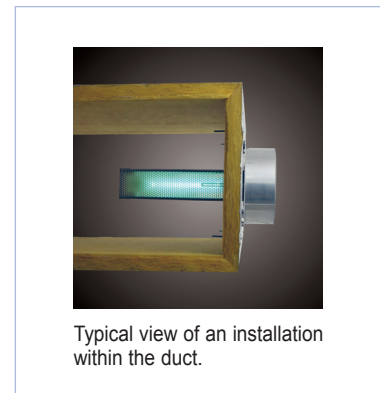
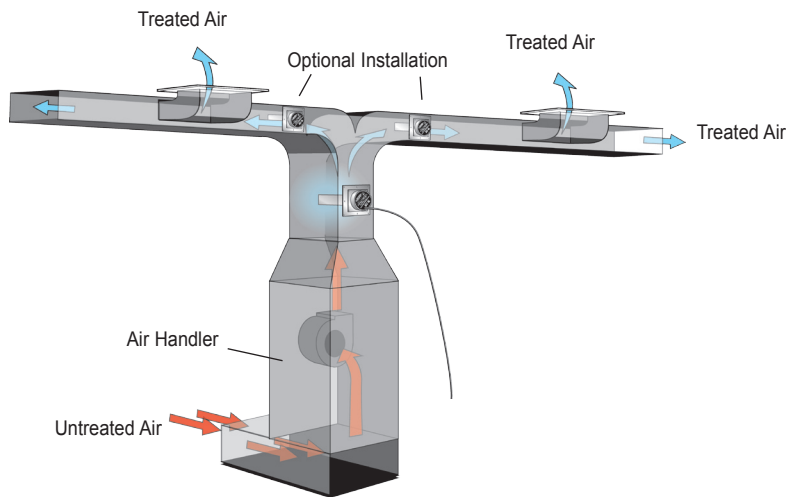
INDUCT 750	US40659	
electrical	100/277 VAC, 50/60 HZ	.17A 17 watts*
mechanical	UV bulb monitoring system install	safety interlock switch installed
dimensions	9.62"H x 9.62"W x 7.48"D	24cm L x 24cm W x 19cm D
weight	3 pounds	1.2 kilograms
max temp	<200°F	

The activTek INDUCT 750 is ideally applicable to situations in which accessible ducts already exist or will be installed and where low maintenance, no cleaning, or discreet installation might also be an advantage.

## applications list

- Residential homes
- Small offices
- Nursing homes
- Efficiency apartments
- Nursing home units up to 3 tons
- Elevators

## installation details



activTek INDUCT 750 can be installed in any HVAC system directly into the plenum or directly above the air handler in remote or “down stream” locations.

If multiple units are installed in the same plenum area, stagger the installation so all units incur direct air flow.

1. An approximate 4” (10.16 cm) opening will need to be cut into the existing ductwork to install the unit properly.
2. Unit should be installed after the air handler in the HVAC system.

3. The ductwork around the installation area should be clean and dry to ensure proper adhesion of the gasket materials and any tape used.

### Electrical Requirements

- To use the 120 volt plug, be sure to locate the unit within 6 ft. of a standard 120 volt grounded outlet. Long term use of an extension cord is not recommended due to safety considerations.
- Installation must be by a licensed HVAC professional.

Distributed By: