

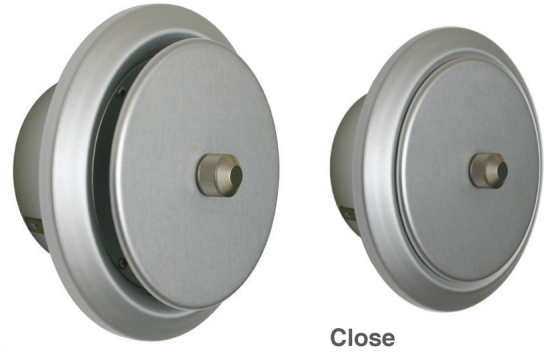


Open

Close

Model: **JRA**
(Plastic)

MATERIAL	FINISH
<ul style="list-style-type: none"> ● ABS Resin 	<ul style="list-style-type: none"> ● Off White ● Custom Colors Available



Open

Close

Model: **JRC**
(Aluminum)

MATERIAL	FINISH
<ul style="list-style-type: none"> ● Aluminum 	<ul style="list-style-type: none"> ● Anodized ● Custom Colors Available

Seiho's Model JRA & JRC Volume Adjustable Round Grilles offer excellent architectural styling for supply, return and exhaust applications. Designed for ceiling or wall mounting, they provide a readily-accessible air flow adjustment. The high density plastic (JRA) and anodized aluminum (JRC) construction are virtually corrosion-proof and are ideal for use in high humidity indoor installations, such as bathrooms, showers, and dish washing areas.

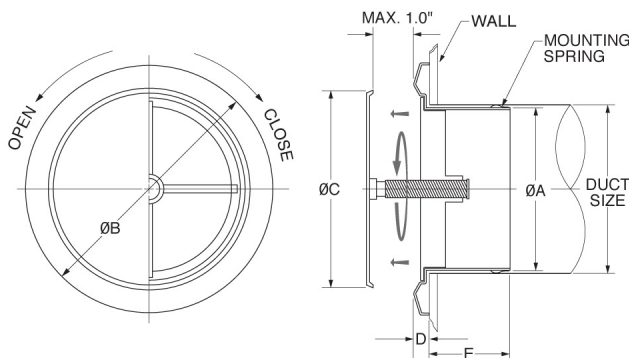
FEATURES

- Contemporary Design Goes with All Decor
- Low Silhouette, Unobtrusive Profile
- Ceiling or Wall Mountable *
- Infinite Adjustable Core for Volume Control
- Positive Sealing Core-to-Body Mount
- 360° Diffusion Air Pattern
- Concealed, Spring Clip, Fastening Mechanism
- Available for Standard Duct Sizes in 4" and 6" Round.

*Recommended use of (3) No.8 screws through body into duct wall to ensure positive connection in ceiling application

www.seiho.com

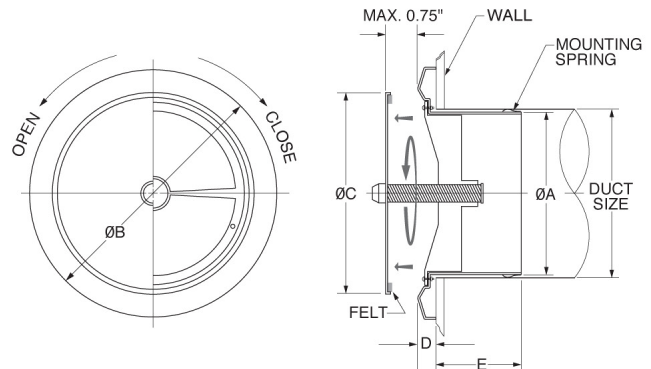
MODEL JRA DIMENSIONS



MODEL	DUCT SIZE	A	B	C	D	E
JRA 4	4	3 25/32	5 29/32	5 11/32	1/2	1 31/32
JRA 6	6	5 23/32	7 7/8	6 7/32	1/2	1 31/32

Product information is subject to change without notice. All dimensions in inches.

MODEL JRC DIMENSIONS



MODEL	DUCT SIZE	A	B	C	D	E
JRC 4	4	3 3/4	6 5/16	5 1/8	19/32	2 3/16
JRC 6	6	5 11/16	8 3/4	7 5/16	19/32	2 3/8

Product information is subject to change without notice. All dimensions in inches.