

Model: **NR-B**

**MATERIAL**

- Aluminum

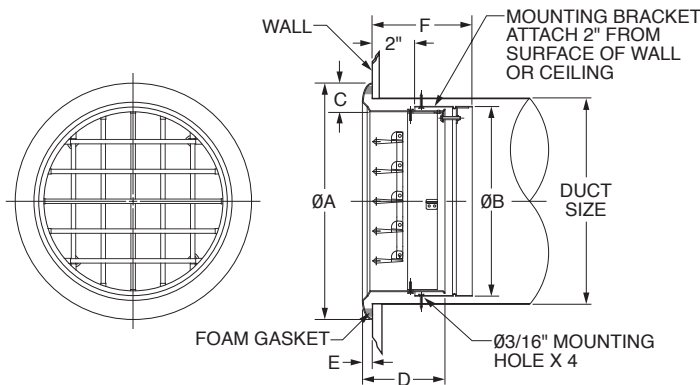
**FINISH**

- Gloss White or Mill Finish
- Custom Colors Available

Seiho's model NR-B utilizes a widely-spaced blade design for high capacity, long throw air flow in a double deflection grille. The linked blades facilitate air direction control. The NR-B can be wall mounted securely with its mounting bracket. Excellent for use where high volume air streams are needed such as airport concourses, hotel lobbies, and convention halls.

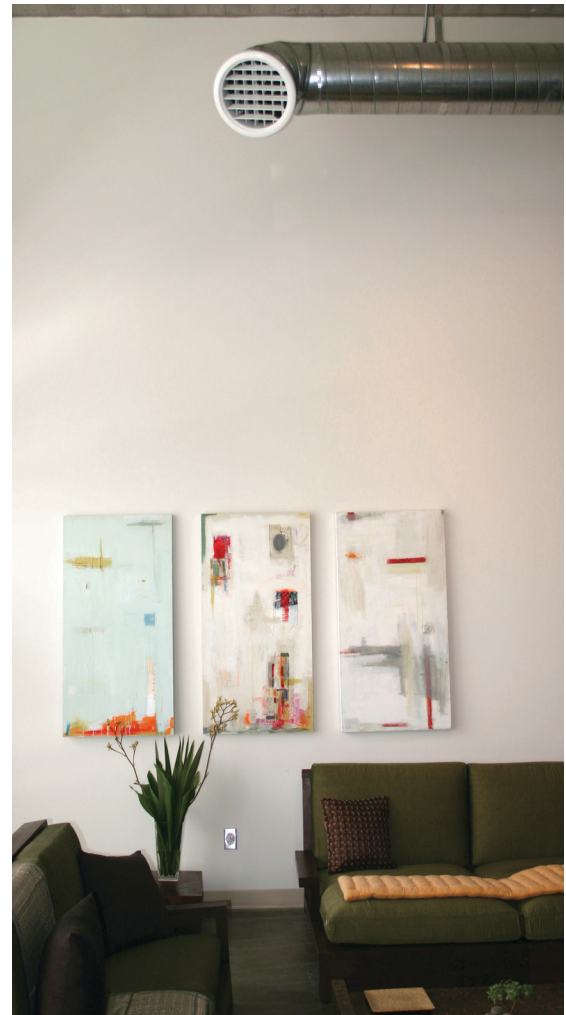
www.seiho.com

**MODEL NR-B DIMENSIONS**



MODEL	DUCT SIZE	A	B	C	D	E	F
NR 6B	6	7 5/8	5 13/16	1 7/32	4 9/32	15/32	5 1/2
NR 8B	8	10	7 25/32	1 13/32	4 9/32	15/32	5 1/2
NR 10B	10	12 5/8	9 3/4	1 25/32	4 13/32	19/32	5 1/2
NR 12B	12	14 19/32	11 23/32	1 25/32	4 13/32	19/32	5 1/2
NR 14B	14	16 9/16	13 11/16	1 25/32	4 13/32	19/32	5 1/2
NR 16B	16	18 17/32	15 21/32	1 25/32	4 13/32	19/32	5 1/2
NR 20B	20	23 5/8	19 23/32	2 3/8	4 31/32	29/32	6 11/16
NR 24B	24	27 9/16	23 11/16	2 3/8	4 31/32	29/32	6 11/16

Product information is subject to change without notice. All dimensions in inches.



**Adjustable Blades**

The NR-B's front and rear linked blades are independently adjustable to provide numerous dispersion patterns.