

# SpotDiffuser™ with Round Duct Adapter

Model: **PK-R/PK-RA**



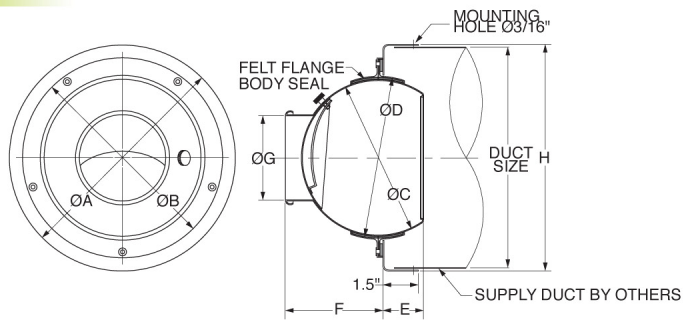
Seiho's Model PK-R/PK-RA Aluminum SpotDiffuser offers excellent architectural styling for directional control in supply applications. The PK-R designed specifically for mounting to round (spiral) sheet metal duct work, it provides an integral, readily-accessible air flow adjustment. The heavy-gage anodized, aluminum and stainless steel construction is corrosion-resistant for years of service. The anodized aluminum finish integrates seamlessly with the galvanized sheet metal finish and color.

- | MATERIAL   | FINISH                    |
|------------|---------------------------|
| ● Aluminum | ● Anodized                |
|            | ● Custom Colors Available |

## MODEL PK-R DIMENSIONS



Model: **PK-R**  
(Exposed Duct Mounted)



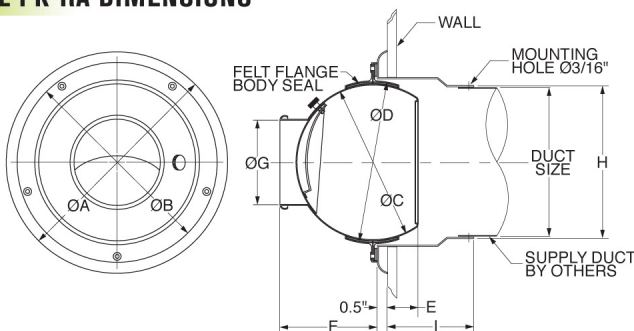
MODEL	DUCT SIZE	A	B	C	D	E	F	G	H
PK 6R	8"	8 11/32	7 15/32	5 29/32	6 7/32	1 1/2	3 11/16	2 15/16	8 1/4
PK 7R	10"	10 3/8	8 3/32	7	7 9/32	1 1/2	4 3/8	3 17/32	10 1/4
PK 8R	11"	11 3/8	9 27/32	7 7/8	8 1/32	1 23/32	4 23/32	3 15/16	11 1/4
PK 10R	14"	14 3/8	12 3/4	10 1/2	10 7/8	1 31/32	6 27/32	5 1/2	14 1/4
PK 12R	16"	16 3/8	14 9/32	12	12 3/8	2 15/32	7 7/8	6 1/2	16 1/4
PK 16R	20"	20 3/8	18 1/2	16 5/32	16 1/2	3 5/8	9 3/4	9 1/16	20 1/4
PK 18R	24"	24 3/8	21 1/16	18 1/2	18 27/32	3 3/4	11 5/8	10 1/4	24 1/4
PK 20R	24"	24 3/8	21 1/16	18 16/32	18 27/32	3 3/4	11 5/8	12 7/32	24 1/4

Product information is subject to change without notice. All dimensions in inches.

## MODEL PK-RA DIMENSIONS



Model: **PK-RA**  
(Wall/Spiral Duct Mounted)



MODEL	DUCT SIZE	A	B	C	D	E	F	G	H	I
PK 6RA	6"	8 11/32	7 15/32	5 29/32	6 7/32	1 1/2	3 11/16	2 15/16	6 1/4	1 1/2
PK 7RA	7"	10 3/32	8 3/32	7	7 9/32	1 1/2	4 3/8	3 17/32	7 1/4	2
PK 8RA	8"	11 27/32	9 27/32	7 7/8	8 1/32	1 23/32	4 23/32	3 15/16	8 1/4	2
PK 10RA	10"	13 3/4	12 3/4	10 1/2	10 7/8	1 31/32	6 27/32	5 1/2	10 1/4	3 1/2
PK 12RA	12"	15 5/16	14 9/32	12	12 3/8	2 15/32	7 7/8	6 1/2	12 1/4	4
PK 16RA	16"	19 1/2	18 1/2	16 5/32	16 1/2	3 5/8	9 3/4	9 1/16	16 1/4	5
PK 18RA	20"	22 1/16	21 1/16	18 1/2	18 27/32	3 3/4	11 5/8	10 1/4	20 1/4	5
PK 20RA	20"	22 1/16	21 1/16	18 16/32	18 27/32	3 3/4	11 5/8	12 7/32	20 1/4	5

Product information is subject to change without notice. All dimensions in inches.