



Model: **RCA-S**



Model: **RCC-S**
(with Backdraft Damper)



MATERIAL

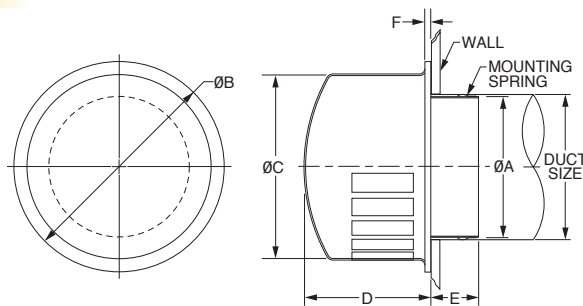
- Stainless Steel (304)

FINISH

- Polished
- Custom Colors Available

The RCA-S and the draft dampered RCC-S Dryer Vents are made from polished 304 stainless steel making them durable and weather resistant. Designed for exterior applications, both models are easy to install and have large openings to reduce clogging. Both models are suited to exhaust fan applications such as dryer, bathroom, or kitchen exhaust venting.

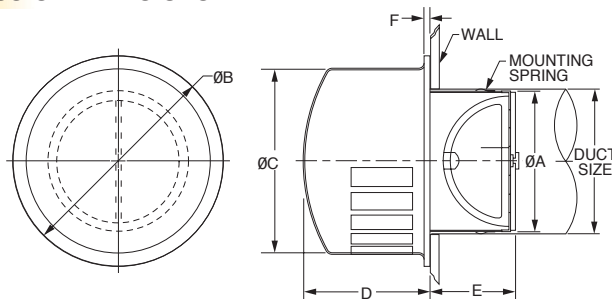
MODEL RCA-S DIMENSIONS



MODEL	DUCT SIZE	A	B	C	D	E	F	FREE AREA
RCA 4S	4	3 25/32	6 1/2	5 1/2	3 3/4	1 9/16	1/4	0.08 sq. ft.
RCA 6S	6	5 23/32	8 17/32	7 15/32	5 1/8	1 31/32	1/4	0.18 sq. ft.

Product information is subject to change without notice. All dimensions in inches.

MODEL RCC-S DIMENSIONS



MODEL	DUCT SIZE	A	B	C	D	E	F	FREE AREA
RCC 4S	4	3 25/32	6 1/2	5 1/2	3 3/4	2 5/32	1/4	0.07 sq. ft.
RCC 6S	6	5 23/32	8 17/32	7 15/32	5 1/8	3 3/4	1/4	0.16 sq. ft.

Product information is subject to change without notice. All dimensions in inches.

