

PATENTED



Model: **TX**



Model: **TX-P**  
Residential MINI Diffuser Panel

The MINI Ceiling Diffuser is now equipped with an innovative vertical air discharge shutter. Combine with horizontal air flow control center plate, the model TX allows the user to achieve variable air flow patterns. Stylish low silhouette, unobtrusive profile with exceptionally high quality aluminum construction, extremely versatile TX and TX-P MINI Diffusers are excellent choice for many residential or light commercial applications.

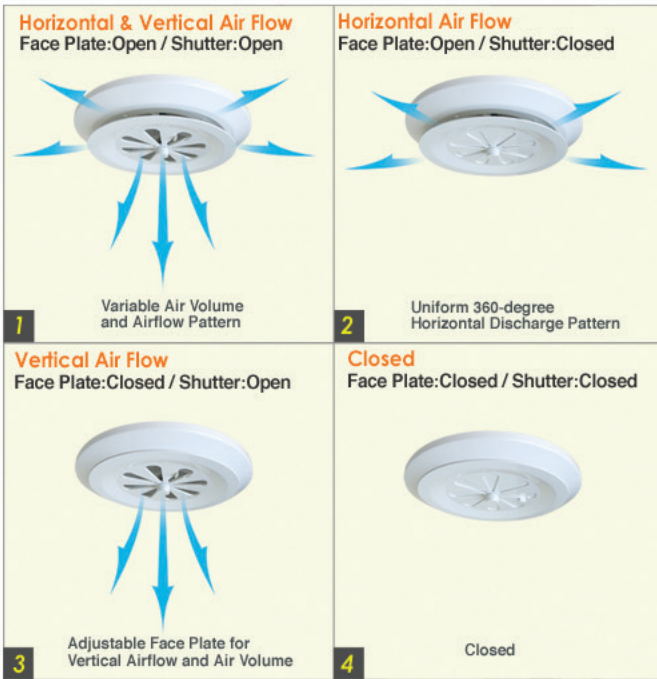
**MATERIAL**

- Aluminum

**FINISH**

- White Painted or Anodized
- Custom Colors Available

**VARIABLE AIR FLOW PATTERN**



**FEATURES**



■ Adjustable Vertical Air Flow Exit Shutter



■ 360° Horizontal Diffusion Air Pattern



■ Vertical Shutter Control Knob



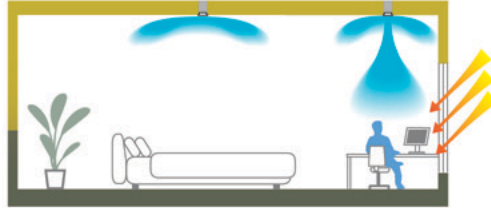
■ Low Silhouette, Unobtrusive Profile



■ Available for Standard Duct Sizes

**APPLICATIONS**

The model TX MINI Diffuser is an ideal product for residential HVAC solution, however, because of its versatility, the TX will also fit perfectly for many other applications such as hospitals, hotels, schools, offices, retail stores and etc.



Hotel Room / Bed Room



Living Room / Kitchen



Office Spaces

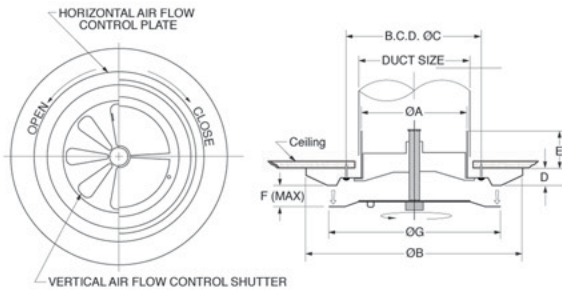


**CUSTOM COLORS AVAILABLE**

The Seiho TX MINI Diffusers can be custom color matched to enhance the total decor of your room. Can match almost any color sample provided.



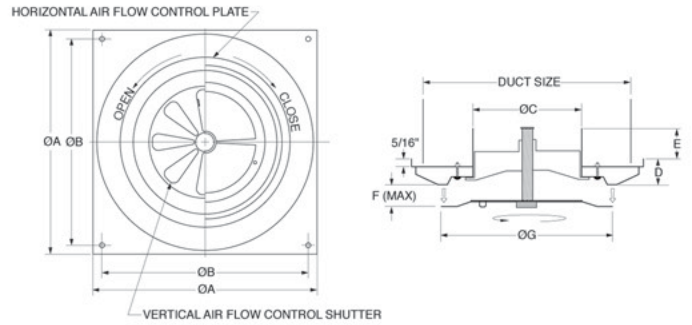
**MODEL TX DIMENSIONS**



MODEL	DUCT SIZE	A	B	C	D	E	F	G
TX 4	4	3 3/4	7 3/4	4 27/32	5/8	1 17/32	1 5/8	6 3/16
TX 6	6	5 27/32	11	7	7/8	1 29/32	1 5/8	8 31/32
TX 8	8	7 11/16	13 1/4	9 3/16	7/8	1 9/16	1 7/8	11 1/4

Product information is subject to change without notice. All dimensions in inches.

**MODEL TX-P DIMENSIONS**



MODEL	DUCT SIZE		A	B	C	D	E	F	G
	SQUARE W.A.H.	ROUND (Ø) INCHES							
TT 4P	6x6	4	8	7	3 3/4	15/16	1 7/32	1 5/8	6 3/16
TT 6P	10x10	6	12	11	5 27/32	1 3/16	1 19/32	1 5/8	8 31/32
TT 8P	12x12	8	14	13	7 11/16	1 3/16	1 1/4	1 7/8	11 1/4

Product information is subject to change without notice. All dimensions in inches.

**MODEL TX SMOKE PATTERN TEST**



Vertical Air Flow



Horizontal Air Flow



Vertical & Horizontal Air Flow