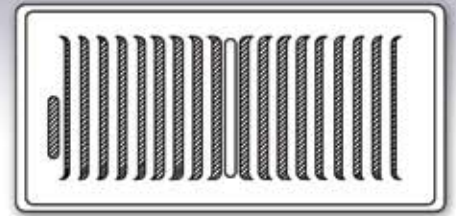
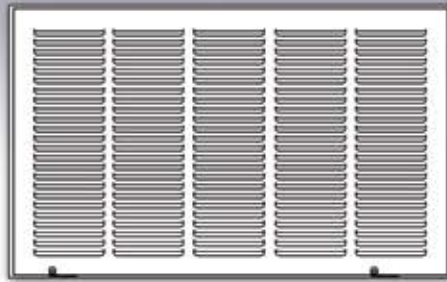
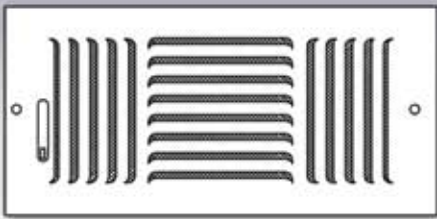


# AIRFLOW

by  **SHOEMAKER**  
MANUFACTURING



## ECONOMICAL REGISTERS FOR AFFORDABLE CONSTRUCTION

designed and distributed exclusively by Shoemaker Manufacturing Company

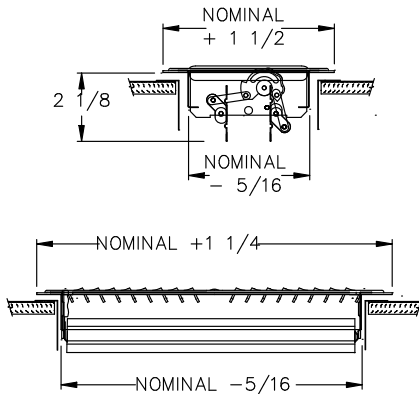
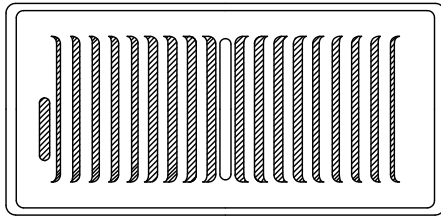
Shoemaker Manufacturing Company  
104 Montgomery Avenue  
Cle Elum, WA 98922

Tel: (509) 674-4414  
Fax: (509) 674-4420

visit us on the web at [www.shoemakermfg.com](http://www.shoemakermfg.com)

effective 1/14/08

## A51 SERIES

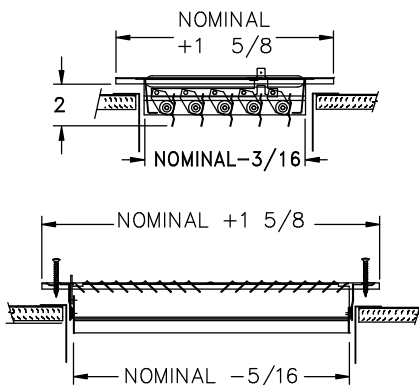
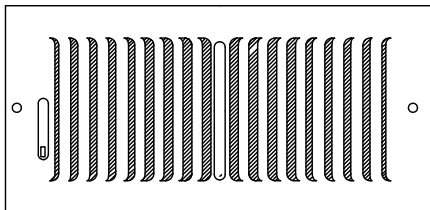


### Perimeter Floor Diffuser

- » Cold-rolled steel
- » Opposed blade damper standard
- » All component parts, rivets, linkage, and handle, are enclosed in the valve to assure trouble-free operation
- » Positive volume balance screw
- » Brown or white
- » Sold in carton quantity only

Model / Size	Carton Qty	List
A51-4X10B	30	\$7.55
A51-4X12B	25	\$10.24
A51-4X14B	21	\$10.82
A51-4X10W	30	\$7.55
A51-4X12W	25	\$10.24
A51-4X14W	21	\$10.82

## A52 SERIES

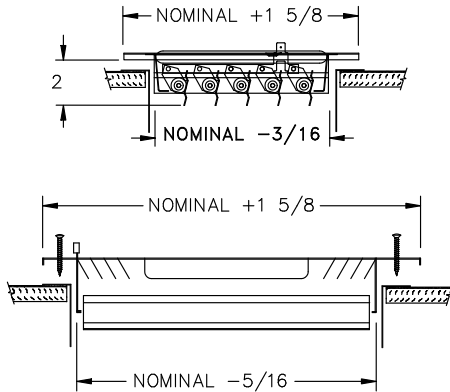
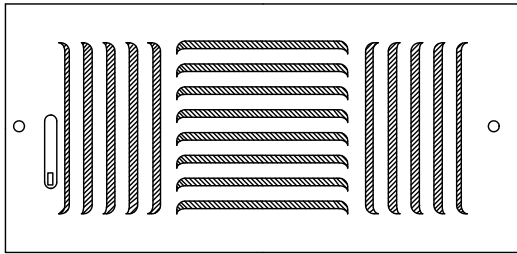


### 2-Way Diffuser

- » 2-way cold-rolled steel diffuser
- » For ceiling or sidewall applications
- » All component parts, rivets, linkage and handle are enclosed in the valve to assure trouble-free operation
- » Countersunk mounting holes for flush appearance with color matching Phillips screws
- » Steel multi-shutter damper
- » White
- » Sold in carton quantity only

Model / Size	Carton Qty	List
A52-8X4	36	\$9.69
A52-10X4	36	\$10.02
A52-10X6	24	\$11.16
A52-12X4	28	\$10.82
A52-12X6	18	\$12.25
A52-14X6	17	\$12.98
A52-14X8	17	\$14.07

## A53 SERIES

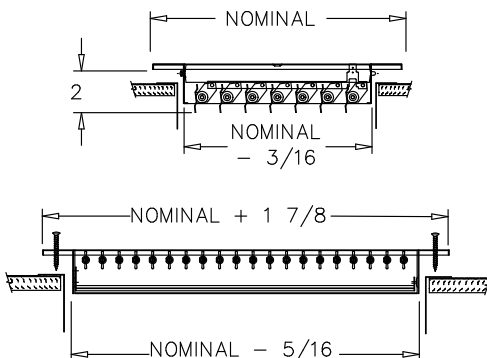
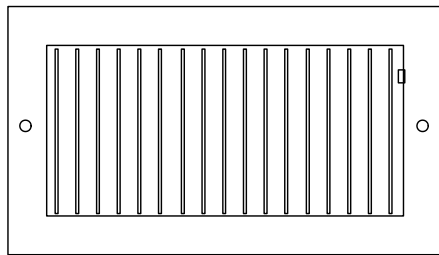


### 3-Way Diffuser

- » 3-way cold-rolled steel diffuser
- » For ceiling or sidewall applications
- » All component parts, rivets, linkage, and handle, are enclosed in the valve to assure trouble free operation
- » Countersunk mounting holes for flush appearance with color matching Phillips screws
- » Steel multi-shutter damper
- » White
- » Sold in carton quantity only

Model / Size	Carton Qty	List
A53-8X4	36	\$11.16
A53-10X4	36	\$11.16
A53-10X6	24	\$12.64
A53-12X4	26	\$11.59
A53-12X6	18	\$12.76
A53-14X6	17	\$13.28
A53-14X8	17	\$15.13

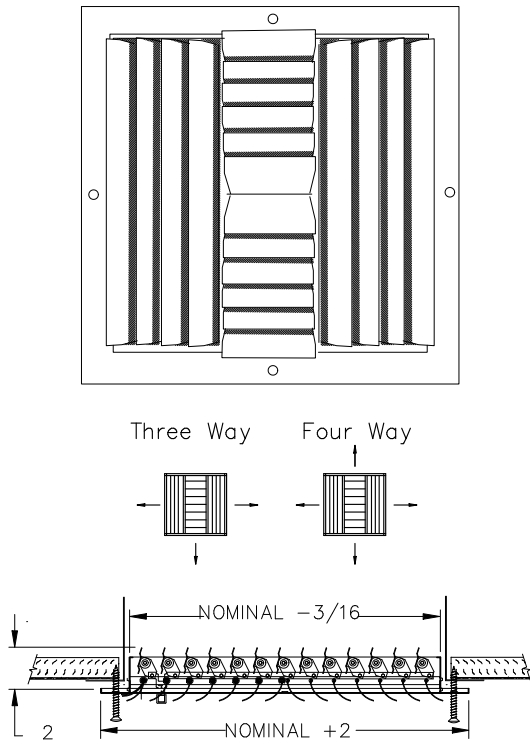
## A64 SERIES



### Adjustable Diffuser

- » Adjustable roll formed steel blades
- » For ceiling or sidewall applications
- » Vertical air deflectors with nylon bushings for easy adjustment and quiet settings
- » Countersunk mounting holes for flush appearance with color matching Phillips screws
- » Steel multi-shutter damper
- » White
- » Sold in carton quantity only

Model / Size	Carton Qty	List
A64-8X4	36	\$20.23
A64-10X4	30	\$19.94
A64-10X6	24	\$22.72
A64-12X4	24	\$22.64
A64-12X6	18	\$24.54
A64-14X6	17	\$26.02
A64-14X8	17	\$29.42



### Adjustable Curved Blade Diffuser

- » Adjustable steel curved blades
- » Field adjustable for positive throws and control of face velocities
- » Provides uniform air distribution across ceiling or walls
- » Countersunk mounting holes for flush appearance with color matching Phillips screws
- » Steel multi-shutter damper
- » White
- » Sold in carton quantity only

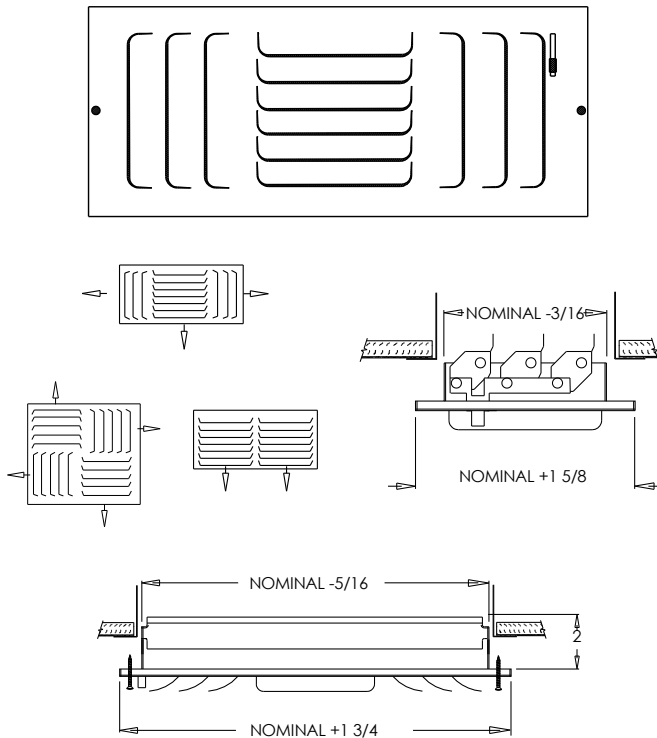
3-Way

Model / Size	Ctn Qty	List
A67-6X6-3W	28	\$39.25
A67-8X8-3W	20	\$46.96
A67-10X10-3W	10	\$54.28
A67-12X12-3W	7	\$65.84
A67-14X14-3W	7	\$81.79

4-Way

Model / Size	Ctn Qty	List
A67-6X6	28	\$39.25
A67-8X8	20	\$46.96
A67-10X10	10	\$54.28
A67-12X12	7	\$65.84
A67-14X14	7	\$81.79

## A21- 1 WAY | A23- 3 WAY | A24 - 4 WAY SERIES



### Stamped Curved Blade Diffuser

- » Stamped curved blades
- » Provides uniform air distribution across ceiling or walls
- » Countersunk mounting holes for flush appearance with color matching Phillips screws
- » Steel multi-shutter damper
- » White
- » Sold in carton quantity only

#### A21 Series

Model / Size	Ctn Qty	List
A21-8X4	27	\$13.84
A21-10X6	18	\$16.27
A21-12X6	15	\$17.91
A21-14X6	14	\$18.95
A21-14X8	12	\$20.60

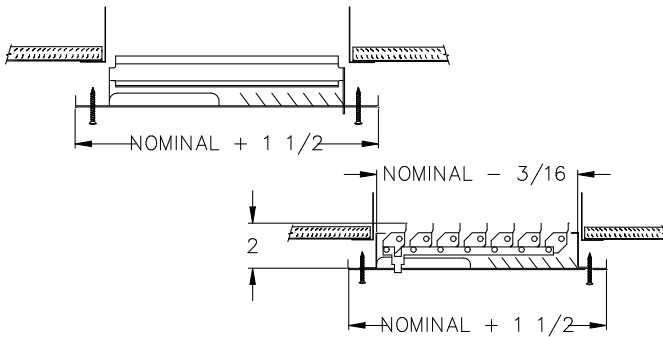
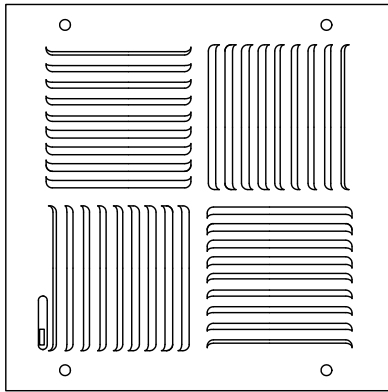
#### A23 Series

Model / Size	Ctn Qty	List
A23-8X4	27	\$13.84
A23-10X4	27	\$13.49
A23-10X6	18	\$14.94
A23-12X6	15	\$16.48
A23-14X6	14	\$17.47
A23-14X8	12	\$18.95

#### A24 Series

Model / Size	Ctn Qty	List
A24-6X6	24	\$13.93
A24-8X8	18	\$16.81
A24-10X10	9	\$27.46
A24-12X12	7	\$31.97
A24-14X14	7	\$43.02

## A84 SERIES

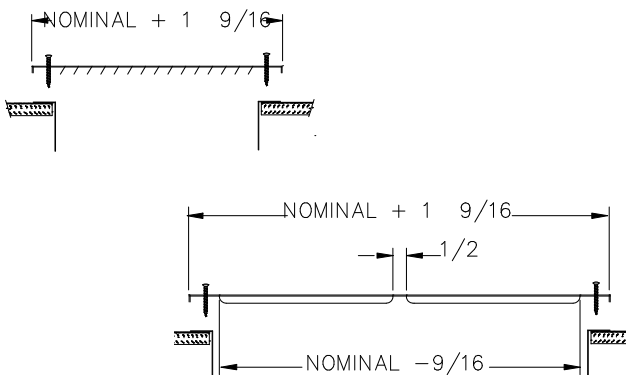
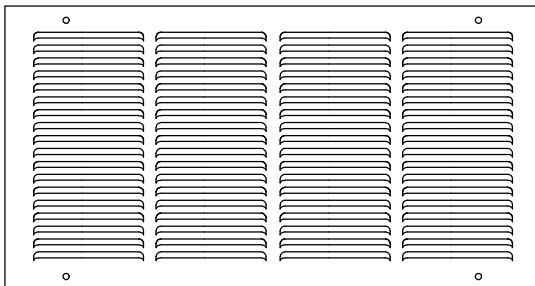


### Stamped 4-Way Ceiling Diffuser

- » Louvered with stiffened 1/2" blade
- » Standard multi-shutter damper
- » Countersunk mounting holes for flush appearance with color matching Phillips screws
- » White
- » Sold in carton quantity only

Model / Size	Carton Qty	List
A84-6X6	40	\$11.95
A84-8X8	24	\$15.35
A84-10X10	14	\$19.32
A84-12X12	8	\$22.31
A84-14X14	8	\$25.78

## A87 SERIES

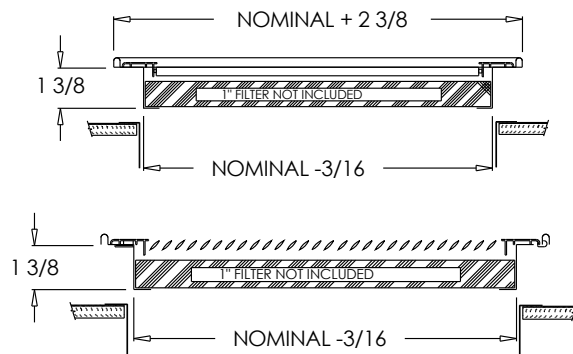
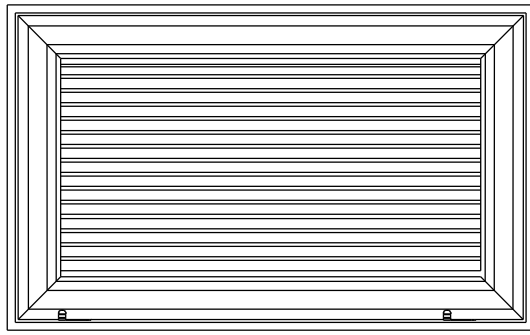


### Stamped Return Air Grille

- » 1/2" spacing dual angular louvers
- » Countersunk mounting holes for flush appearance with color matching Phillips screws
- » White
- » Sold in carton quantity only

Model / Size	Ctn Qty	List
A87-10X10	40	\$10.13
A87-14X6	50	\$8.65
A87-14X8	40	\$9.25
A87-14X14	25	\$14.71
A87-20X6	20	\$10.08
A87-20X20	10	\$32.55
A87-24X6	20	\$10.38
A87-24X14	20	\$23.83
A87-24X24	5	\$39.35
A87-30X6	20	\$13.60
A87-30X14	20	\$30.52
A87-30X20	10	\$44.83

## A69 SERIES

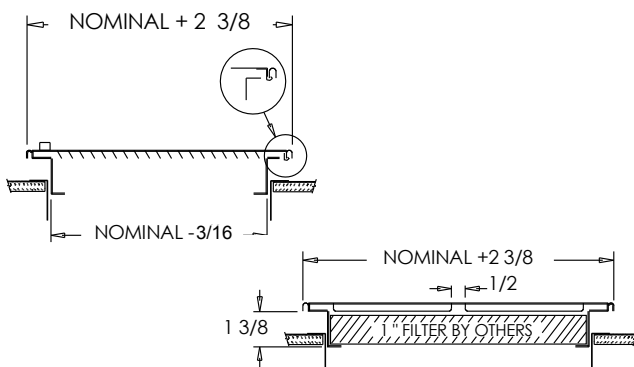
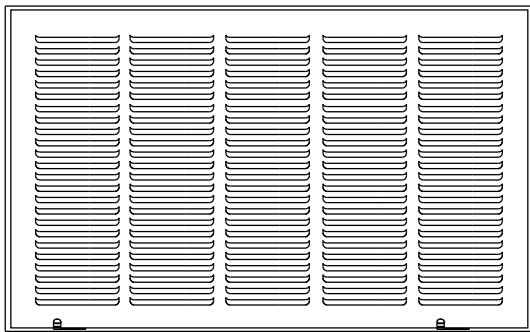


### Filter Grille – Fixed Blade

- » Fixed steel blades parallel to 1st dimension given
- » 45 degree fixed blade face to conceal filter
- » Removable face for easy cleaning and maintenance
- » 1" thick standard filter (not included)
- » White
- » Sold in carton quantity only

Model / Size	Ctn Qty	List
A69-12X12	6	\$42.80
A69-14X14	6	\$57.78
A69-14X24	6	\$71.90
A69-20X12	6	\$56.07
A69-20X14	6	\$64.63
A69-20X20	6	\$93.30
A69-20X25	6	\$113.00
A69-24X12	6	\$60.77
A69-24X14	6	\$71.90
A69-25X14	6	\$77.89
A69-25X20	6	\$113.00
A69-30X14	6	\$92.02
A69-30X16	6	\$104.00

## A89 SERIES



### Filter Grille – Stamped Face

- » 1/2" Fan-shaped louvers of cold-rolled steel
- » Removable face for easy cleaning and maintenance
- » 1" thick standard filter (not included)
- » White
- » Sold in carton quantity only

Model / Size	Ctn Qty	List
A89-10X10	6	\$18.03
A89-12X12	6	\$20.25
A89-14X14	6	\$24.49
A89-14X20	6	\$33.14
A89-14X24	6	\$37.10
A89-16X16	6	\$33.23
A89-20X14	6	\$33.13
A89-20X16	6	\$38.23
A89-20X20	6	\$50.78
A89-20X25	6	\$53.44
A89-20X30	6	\$65.13
A89-24X12	6	\$34.25
A89-24X14	6	\$38.61
A89-24X16	6	\$41.17
A89-24X20	6	\$55.44
A89-24X24	6	\$59.42
A89-25X14	6	\$38.05
A89-25X20	6	\$58.98
A89-30X14	6	\$44.02
A89-30X16	6	\$50.60
A89-30X18	6	\$43.49
A89-30X20	6	\$66.35

NOTE: Filter grilles are manufactured 3/16" undersize nominal duct outside dimension for ease of installation. Air filter should be 1/4" to 1/2" undersize. Verify with air filter manufacturer for air filter specifications.